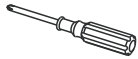


BELLATERRA HOME

Model: 203139

Tools List (Not included)



Screwdriver



Silicone

Parts List (Included)



Screw
(12pcs)

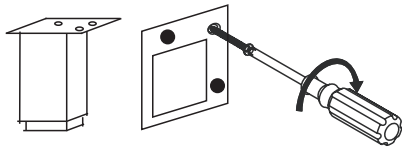
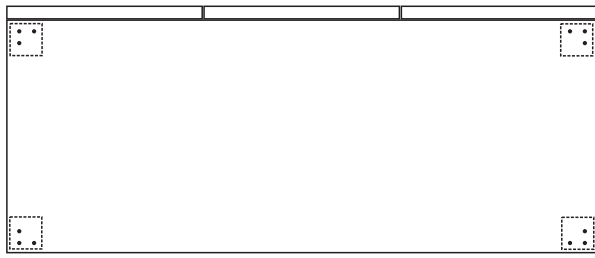


Metal Feet
(4pcs)



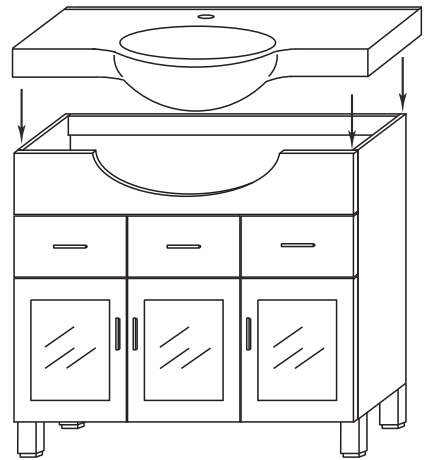
Foam pad
(4pcs)

Flip the vanity with the back side down on a soft surface. Align and fasten the 4 metal legs with screws to the pre-drilled holes on the bottom of the cabinet.



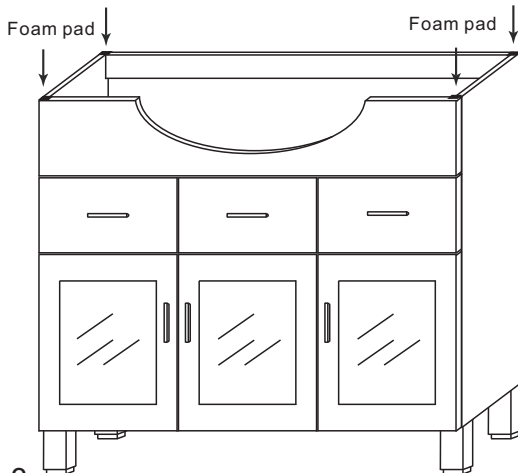
Step 1

Put the integrated ceramic sink on the top of vanity, and check if it stays firm on the vanity.



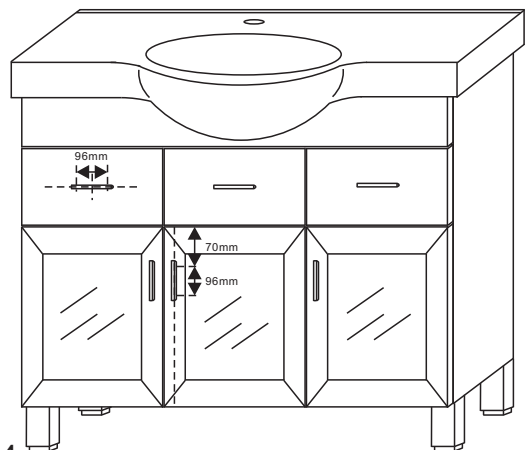
Step 2

If the ceramic sink is not staying firm on the vanity, please use the foam pad to fill the gap.



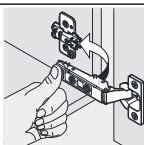
Step 3

Finally, place the ceramic sink again to check the stability.

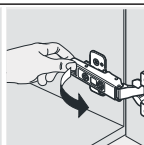


Step 4

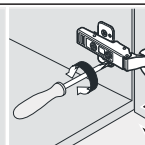
INSTALLATION TIPS:



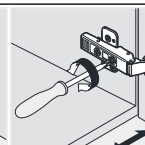
install



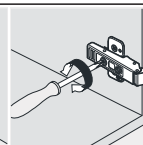
remove



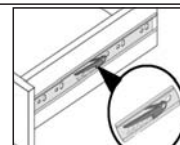
adjust the height



adjust the lateral



adjust the deep



press down the pin on this side & press up the one on another side to pull out the drawer box.

NOTE: SINK STYLE, SHAPE, FAUCET HOLES, CUTOUT ON TOP, VANITY MAY VARY FROM THE PICTURE ABOVE. INSTRUCTIONAL PURPOSE ONLY.

Professional installation is recommended.
www.bellaterra-home.com

Bellaterra Home LLC, All Rights Reserved 2015